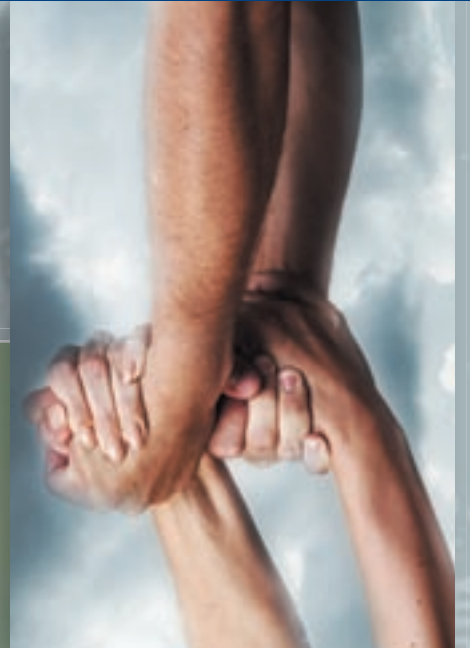




FliteTop[®] Gripper Chains

Safe Handling

**NEW
PRODUCTS**





FliteTop®

Production Range / Applications

Steel Flights



GV 1874T

Has shorter fingers, with same characteristics as the GW 1873T fingers. Particularly suitable for conveying heavier containers and packaged products.



EV 1874T

Has fingers which have the same characteristics of EW 1873T fingers. Particularly suitable for conveying empty glass containers.

Plastic Flights



GW 1873T

Is designed with shorter fingers, which exert a higher force on the conveyed products. Particularly suitable for conveying heavier containers and packaged products.



EW 1873T

Has fingers which flex without increasing the force over product and conveyor. Particularly suitable for conveying empty glass and Pet containers.



NEW

GD 1873T

Offers a flat and more continuous contact surface between the rubber part and the conveyed product. Because of the particular section of the rubber part, the force on the conveyed products remains controlled and uniform. Bidirectional.



NEW

GU 1873T

Guarantees a gentle handling of the conveyed product. For special applications.



FliteTop®

Materials

Base Roller Chain Materials (3/4" Pitches)

Carbon Steel: excellent mechanical strength, excellent resistance to the elongation.

Stainless Steel: good mechanical strength, corrosion resistance, good resistance to the elongation.



Chains with Steel Flights (GV, EV)

Flight Materials:

Carbon Steel: Good wear resistance.

Stainless Steel: Good wear and corrosion resistance.

Rubber Materials:

	RUBBER MATERIAL	COLOUR	MIN TEMP. [°C]	MAX TEMP. [°C]		NOT SUITABLE WITH	RESISTANT TO
				DRY CONDITIONS	WET CONDITIONS		
STANDARD	NEOPRENE	BLACK	- 30°	+ 90°	+ 60°	OIL and ACIDS	WEAK BASES
On Request	NITRILIC	GREEN	- 10°	+ 110°	+ 80°	STRONG ACIDS and BASES	OILS
On Request	EPDM	GREY	- 30°	+ 120°	+ 120°	OILS	ACID (WEAK)

Chains with Plastic Flights (GW, EW, GD, GU)

Flight Materials:

UP - DuPont™ Delrin® special homopolymer acetal resin. It offers good wear resistance.

DK - DuPont™ Delrin® with DuPont™ Kevlar®. Excellent wear resistance, extremely reduced dusting. Particularly suitable for applications where a good lubrication is not possible.

Rubber Materials:

	RUBBER MATERIAL	COLOUR	MIN TEMP. [°C]	MAX TEMP. [°C]		NOT SUITABLE WITH	RESISTANT TO
				DRY CONDITIONS	WET CONDITIONS		
STANDARD	THERMOPLASTIC	GREEN	- 40°	+ 80°	+ 80°	OILS	WEAK ACIDS

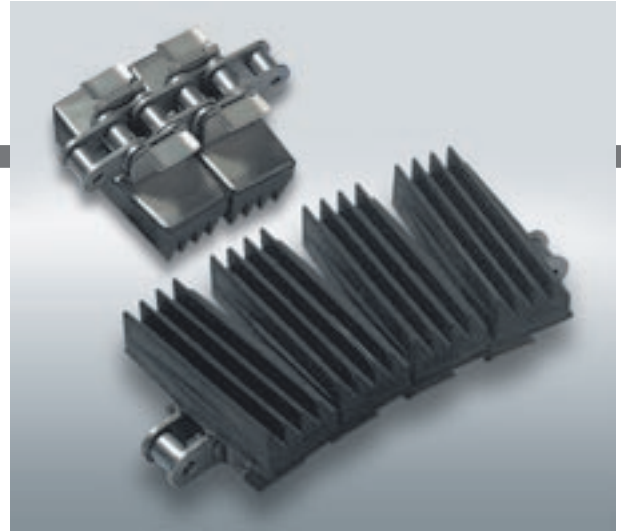
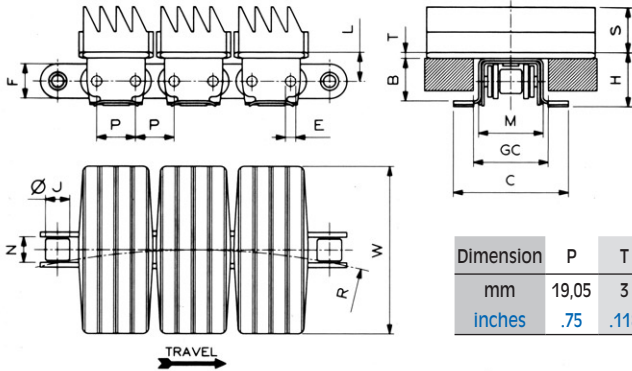
Please note that the maximum working temperature of the plastic flight is 65°C.



FliteTop®

Chain with Steel Flights

Short Fingers



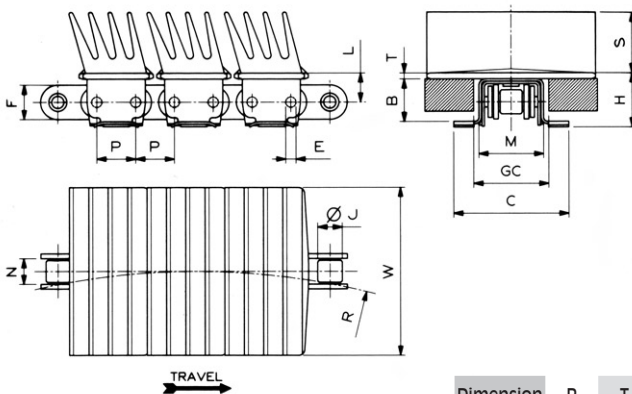
Dimension	P	T	M	C	L	H	E	B	F	N	J	S	GC (Straight)	GC (Curve)
mm	19,05	3	31,8	56,5	14,3	26,8	5,08	21	17	12,7	11,9	22,4	35	35
inches	.75	.118	1.252	2.224	.563	1.055	.2	.827	.669	.5	.469	.882	1.378	1.378

GV 1874T (Short Fingers)

BASE CHAIN MATERIAL	FLIGHT MATERIAL	REGINA REF.	CHAIN WIDTH W		SIDEFLEXING RADIUS R		WORKING LOAD		CHAIN WEIGHT	
			(mm)	(inches)	(mm)	(inches)	(N)	(lbs)	(kg/m)	(lbs/ft)
CARBON STEEL	CARBON STEEL	GV 1874T K 3 1/4	82,6	3.25	381,0	15	4500	1,013	5,18	3.48
		GV 1874T K 4 1/2	114,3	4.50	381,0	15	4500	1,013	5,74	3.86
STAINLESS STEEL (SS)	STAINLESS STEEL (SS)	GV 1874T SS K 3 1/4	82,6	3.25	381,0	15	3500	788	5,18	3.48
		GV 1874T SS K 4 1/2	114,3	4.50	381,0	15	3500	788	5,78	3.88

Standard length: 3,048 m (10 feet)

Long Fingers



Dimension	P	T	M	C	L	H	E	B	F	N	J	S	GC (Straight)	GC (Curve)
mm	19,05	3	31,8	56,5	14,3	26,8	5,08	21	17	12,7	11,9	30	35	35
inches	.75	.118	1.252	2.224	.563	1.055	.2	.827	.669	.5	.469	1.181	1.378	1.378

EV 1874T (Long Fingers)

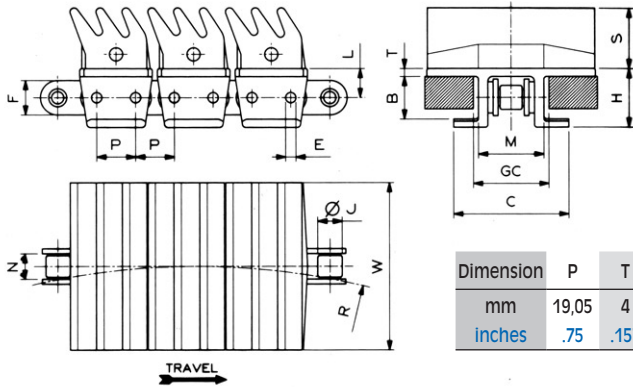
BASE CHAIN MATERIAL	FLIGHT MATERIAL	REGINA REF.	CHAIN WIDTH W		SIDEFLEXING RADIUS R		WORKING LOAD		CHAIN WEIGHT	
			(mm)	(inches)	(mm)	(inches)	(N)	(lbs)	(kg/m)	(lbs/ft)
CARBON STEEL	CARBON STEEL	EV 1874T K 3 1/4	82,6	3.25	381,0	15	4500	1,013	5,30	3.56
STAINLESS STEEL (SS)	STAINLESS STEEL (SS)	EV 1874T SS K 3 1/4	82,6	3.25	381,0	15	3500	788	5,30	3.56

Standard length: 3,048 m (10 feet)



FliteTop®

Chain with Plastic Flights Short Fingers



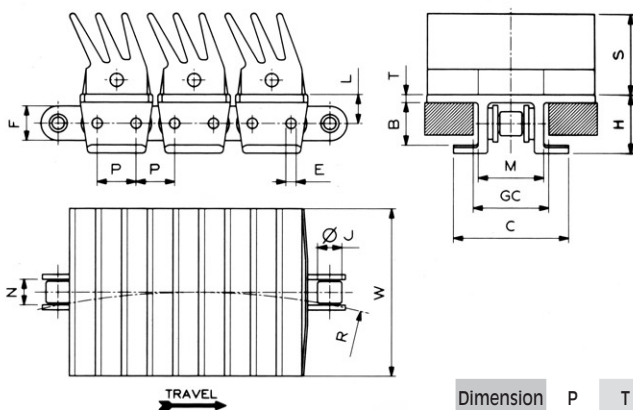
Dimension	P	T	M	C	L	H	E	B	F	N	J	S	GC (Straight)	GC (Curve)
mm	19,05	4	32,1	56,5	14,3	29	5,08	21	17	12,7	11,9	30	35	35
inches	.75	.157	1.264	2.224	.563	1.142	.2	.827	.669	.5	.469	1.181	1.378	1.378

GW 1873T (Short Fingers)

BASE CHAIN MATERIAL	FLIGHT MATERIAL	REGINA REF.	CHAIN WIDTH W		SIDEFLEXING RADIUS R		WORKING LOAD		CHAIN WEIGHT	
			(mm)	(inches)	(mm)	(inches)	(N)	(lbs)	(kg/m)	(lbs/ft)
CARBON STEEL	ULTRA PERFORMANCE	GW 1873T UP K 3 1/4	82,6	3.25	355,6	14	4500	1,013	4,15	2.79
STAINLESS STEEL (SS)	ACETAL RESIN (UP)	GW 1873T UP SS K 3 1/4	82,6	3.25	355,6	14	3500	788	4,13	2.78
CARBON STEEL	(DK)	GW 1873T DK K 3 1/4	82,6	3.25	355,6	14	4500	1,013	4,15	2.79
STAINLESS STEEL (SS)		GW 1873T DK SS K 3 1/4	82,6	3.25	355,6	14	3500	788	4,13	2.78

Standard length: 3,048 m (10 feet)

Long Fingers



Dimension	P	T	M	C	L	H	E	B	F	N	J	S	GC (Straight)	GC (Curve)
mm	19,05	4	32,1	56,5	14,3	29	5,08	21	17	12,7	11,9	40	35	35
inches	.75	.157	1.264	2.224	.563	1.142	.2	.827	.669	.5	.469	1.575	1.378	1.378

EW 1873T (Long Fingers)

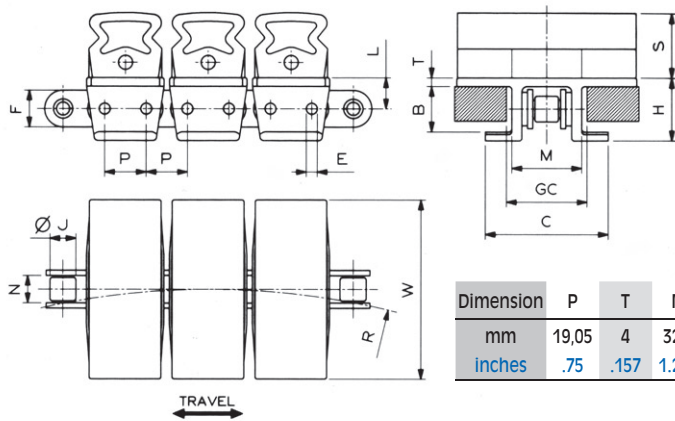
BASE CHAIN MATERIAL	FLIGHT MATERIAL	REGINA REF.	CHAIN WIDTH W		SIDEFLEXING RADIUS R		WORKING LOAD		CHAIN WEIGHT	
			(mm)	(inches)	(mm)	(inches)	(N)	(lbs)	(kg/m)	(lbs/ft)
CARBON STEEL	ULTRA PERFORMANCE	EW 1873T UP K 3 1/4	82,6	3.25	355,6	14	4500	1,013	4,30	2.89
		EW 1873T UP K 4 1/2	114,3	4.50	355,6	14	4500	1,013	5,23	3.51
STAINLESS STEEL (SS)	ACETAL RESIN (UP)	EW 1873T UP SS K 3 1/4	82,6	3.25	355,6	14	3500	788	4,28	2.88
		EW 1873T UP SS K 4 1/2	114,3	4.50	355,6	14	3500	788	5,21	3.50
CARBON STEEL	(DK)	EW 1873T DK K 3 1/4	82,6	3.25	355,6	14	4500	1,013	4,30	2.89
		EW 1873T DK K 4 1/2	114,3	4.50	355,6	14	4500	1,013	5,23	3.51
STAINLESS STEEL (SS)	(DK)	EW 1873T DK SS K 3 1/4	82,6	3.25	355,6	14	3500	788	4,28	2.88
		EW 1873T DK SS K 4 1/2	114,3	4.50	355,6	14	3500	788	5,21	3.50

Standard length: 3,048 m (10 feet)



FliteTop

Chain with Plastic Flights D-Shape



Dimension	P	T	M	C	L	H	E	B	F	N	J	S	GC (Straight)	GC (Curve)
mm	19,05	4	32,1	56,5	14,3	29	5,08	21	17	12,7	11,9	30	35	35
inches	.75	.157	1.264	2.224	.563	1.142	.2	.827	.669	.5	.469	1.181	1.378	1.378



GD 1873T (D-Shape)

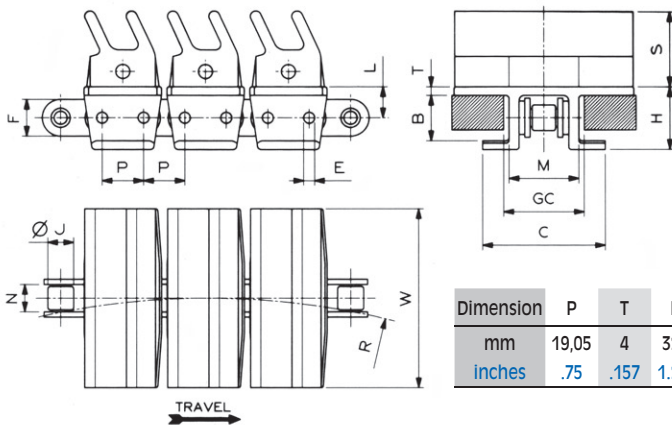
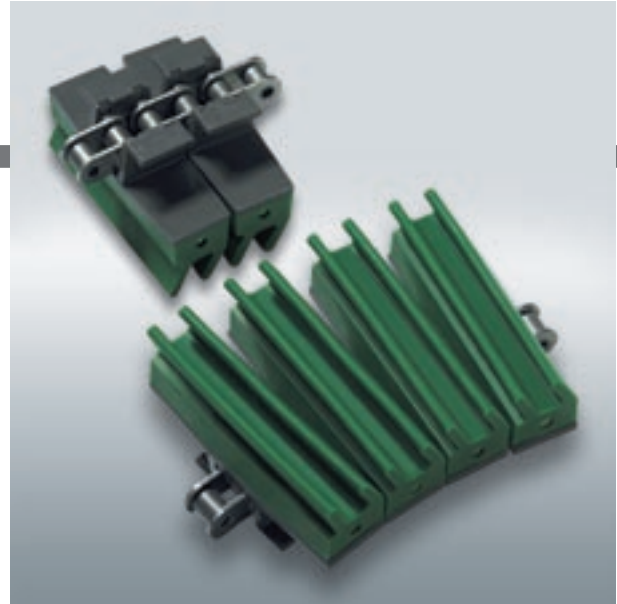
BASE CHAIN MATERIAL	FLIGHT MATERIAL	REGINA REF.	CHAIN WIDTH W		SIDEFLEXING RADIUS R		WORKING LOAD		CHAIN WEIGHT	
			(mm)	(inches)	(mm)	(inches)	(N)	(lbs)	(kg/m)	(lbs/ft)
CARBON STEEL	ULTRA PERFORMANCE	GD 1873T UP K 3 1/4	82,6	3.25	355,6	14	4500	1,013	4,03	2.71
STAINLESS STEEL (SS)	ACETAL RESIN (UP)	GD 1873T UP SS K 3 1/4	82,6	3.25	355,6	14	3500	788	4,00	2.69
CARBON STEEL	(DK)	GD 1873T DK K 3 1/4	82,6	3.25	355,6	14	4500	1,013	4,03	2.71
STAINLESS STEEL (SS)		GD 1873T DK SS K 3 1/4	82,6	3.25	355,6	14	3500	788	4,00	2.69

Standard length: 3,048 m (10 feet)



FliteTop

Chain with Plastic Flights U-Shape



Dimension	P	T	M	C	L	H	E	B	F	N	J	S	GC (Straight)	GC (Curve)
mm	19,05	4	32,1	56,5	14,3	29	5,08	21	17	12,7	11,9	35	35	35
inches	.75	.157	1.264	2.224	.563	1.142	.2	.827	.669	.5	.469	1.378	1.378	1.378



GU 1873T (U-Shape)

BASE CHAIN MATERIAL	FLIGHT MATERIAL	REGINA REF.	CHAIN WIDTH W		SIDEFLEXING RADIUS R		WORKING LOAD		CHAIN WEIGHT	
			(mm)	(inches)	(mm)	(inches)	(N)	(lbs)	(kg/m)	(lbs/ft)
CARBON STEEL	ULTRA PERFORMANCE ACETAL RESIN (UP)	GU 1873T UP K 3 1/4	82,6	3.25	355,6	14	4500	1,013	4,12	2.77
		GU 1873T UP K 4 1/2	114,3	4.50	355,6	14	4500	1,013	4,95	3.33
STAINLESS STEEL (SS)		GU 1873T UP SS K 3 1/4	82,6	3.25	355,6	14	3500	788	4,10	2.76
		GU 1873T UP SS K 4 1/2	114,3	4.50	355,6	14	3500	788	4,93	3.31
CARBON STEEL	(DK)	GU 1873T DK K 3 1/4	82,6	3.25	355,6	14	4500	1,013	4,12	2.77
		GU 1873T DK K 4 1/2	114,3	4.50	355,6	14	4500	1,013	4,95	3.33
STAINLESS STEEL (SS)		GU 1873T DK SS K 3 1/4	82,6	3.25	355,6	14	3500	788	4,10	2.76
		GU 1873T DK SS K 4 1/2	114,3	4.50	355,6	14	3500	788	4,93	3.31

Standard length: 3,048 m (10 feet)



Italy

REGINA S.I.C.C. S.p.A.
Via Monza, 90
23870 Cernusco Lombardone (LC) - Italy
TEL. +39-039-99801
FAX +39-039-9905229
sales@regina.it

REGINA SUD S.p.A.

Head office and Plant
S.S. 156 dei Monti Lepini km 50,00
Traversa Via dei Lavoratori, 23
04010 Borgo San Michele (LT) - Italy
TEL. +39-0773-25491
FAX +39-0773-258496

Sales office
Via Monza, 90
23870 Cernusco Lombardone (LC) - Italy
TEL. +39-039-9980370
FAX +39-039-9901119
reginasud@regina.it

United Kingdom

REGINA INTERNATIONAL Limited

Unit 1, Dyneley Road,
Greenbank Business Park
Whitebirk, Blackburn,
Lancs BB1 3AB - U.K.
TEL. +44-1254-661116
FAX +44-1254-59456
user@regina-int.fsnet.co.uk

France

REGINA INDUSTRIE S.a.r.l.
20 Rue André Dessaux
45402 Fleury Les Aubrais (Cedex) - France
TEL. +33-238-836363
FAX +33-238-836413
reginaindustrie@aol.com

Germany

REGINA
Tel. ++49-2662939196
Fax ++49-2662939198
Juergen-Fett@t-online.de

United States

REGINA USA, INC.

824 Chesapeake Drive
Cambridge, MD 21613 - U.S.A.
TEL. +1-410-221-2800
FAX +1-410-221-2801
regusa@reginausa.com

Mexico

REGINA USA de MEXICO, S.A. DE C.V.

Av. Aviacion 5051-28
Col. San Juan De Ocotan
45019 Zapopan, Jalisco - Mexico
TEL. +52-33-36274043
FAX +52-33-36273930
reginamx@reginausa.com.mx

South America

REGINA INTERNATIONAL S.A.

Diagonal 190, 1844
1655 José Leon Suarez - B.A.
Argentina
TEL. +54-11-4729-6667
FAX +54-11-4729-5479
regina_ventas@elsitio.net

China

REGINA (TIANJIN)

Chain & Belt Co., Ltd

Head office and Plant
3-B, Tian Zhi Industrial Park
Xi Qing Economic Development Area
300385 Tianjin - China
TEL. +86-22-83961223
FAX +86-22-83961202
regina_china@163.com

REGINA S.I.C.C. S.p.A.

Shanghai Rep. Office

Room 23, Lombardy Palace
No. 999 Ningqiao Rd,
Shanghai 201206, P.R. China
TEL. +86-21-50312408
FAX +86-21-58345938
regping@public1.sta.net.cn