















REGINA
CHAIN

PERFORMANCE IN MOTION

FliteTop[®]
GRIPPER CHAINS


Production range.

All gripper chains are particularly suitable in the following industries:
Bottling, Food, Glass Mfg., Packaging

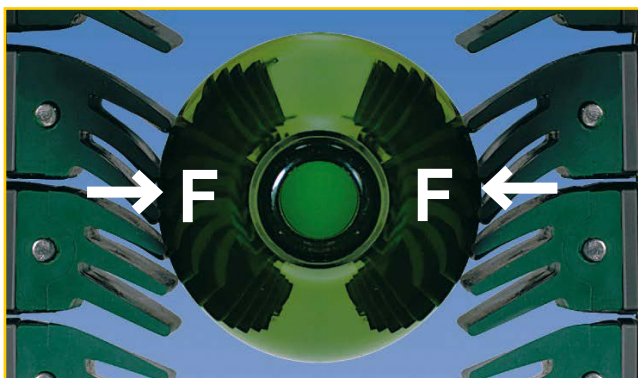
SERIES	RUBBER DESIGN	BASE CHAIN MATERIAL (3/4")	CHAIN FLIGHT	RUBBER PAD MATERIAL	APPLICATION
1873T Two-Piece	 EW Long Fingers  GW Short Fingers  GU U-Shape Fingers  GD D-Shape Fingers	<div style="display: flex; justify-content: space-around;"> <div style="border: 1px solid black; padding: 2px;">S</div> <div style="border: 1px solid black; padding: 2px;">SS</div> </div> <div style="text-align: center; margin-top: 5px;"> <div style="background-color: yellow; padding: 2px;">BS</div> NEW </div>	<div style="background-color: gray; color: white; padding: 2px; text-align: center;">UP</div> 	<div style="background-color: green; color: white; padding: 2px; text-align: center;">Thermo plastic</div>	<ul style="list-style-type: none"> ■ ELEVATOR ■ LOWERATOR ■ PASS THROUGH CONVEYOR ■ RINSERS AND MORE...
1874T Two-Piece	 EV Long Fingers  GV Short Fingers	<div style="display: flex; justify-content: space-around;"> <div style="border: 1px solid black; padding: 2px;">S</div> <div style="border: 1px solid black; padding: 2px;">SS</div> </div>	<div style="display: flex; justify-content: space-around;"> <div style="border: 1px solid black; padding: 2px;">S</div> <div style="border: 1px solid black; padding: 2px;">SS</div> </div>	<div style="background-color: black; color: white; padding: 2px; text-align: center;">EPDM</div>	
NEW 1843T Two-Piece	 EW Long Fingers	<div style="display: flex; justify-content: space-around;"> <div style="border: 1px solid black; padding: 2px;">S</div> <div style="border: 1px solid black; padding: 2px;">SS</div> </div> <p style="text-align: center; font-size: small;">(1/2" Pitch)</p>	<div style="background-color: gray; color: white; padding: 2px; text-align: center;">UP</div>	<div style="background-color: green; color: white; padding: 2px; text-align: center;">Thermo plastic</div>	
878T One-Piece	 EW Long Fingers  GW Short Fingers  GU U-Shape Fingers  GD D-Shape Fingers	<p style="text-align: center; font-weight: bold;">NO ROLLERS BASE CHAIN</p>	<div style="background-color: gray; color: white; padding: 2px; text-align: center;">UP</div>	<div style="background-color: green; color: white; padding: 2px; text-align: center;">Thermo plastic</div>	

All the stainless steel rollers base chains are prelubricated with high performance lube suitable for the food industry (USDA H1 approved) which guarantees long-lasting effect for the chain.

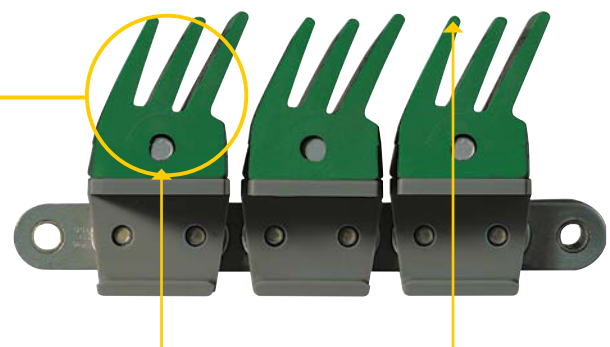
Materials.

TYPE	DESCRIPTION	FEATURES
<div style="border: 1px solid black; padding: 2px;">S</div>	Carbon Steel	Through hardened carbon steel. Surface and core hardness of 43 HRC. Excellent strength and wear resistance. Not suitable in presence of water.
<div style="border: 1px solid black; padding: 2px;">SS</div>	Stainless Steel	Cr-Ni austenitic cold rolled stainless steel. It guarantees the best corrosion resistance to withstand chemical attack. It offers very good wear resistance, due to work hardening and homogeneous chemical structure.
<div style="background-color: yellow; padding: 2px;">BS</div> NEW	Maintenance free carbon steel	Rollers base chains for maintenance free applications.
<div style="background-color: gray; color: white; padding: 2px;">UP</div> Dark Brown	Ultra Performance Acetal Resin	DuPont™ Delrin® Ultra Performance special homopolymer acetal resin. Particularly suitable for applications where low coefficient of friction and contained dusting are needed.
 Dark Green	Superior Grade of Acetal Resin (DK ²)	Delrin® acetal resin reinforced with Kevlar®, newly developed by Regina and DuPont™, able to reach the lowest coefficient of friction with maximum wear resistance. Thanks to the superior properties of DK² , the usage of lubricants can be drastically reduced or even eliminated without losing performance in conveyor applications.
<div style="background-color: green; color: white; padding: 2px;">Thermo plastic</div> Green	Thermoplastic Rubber	Special Thermoplastic rubber with hardness of 50 ShA and optimum wear resistance that guarantees exceptional product grip in inclined/declined conveyors and elevators/lowerators, extending life without losing elasticity.
<div style="background-color: black; color: white; padding: 2px;">EPDM</div> Black	EPDM Rubber	For gripper chain series. EPDM rubber with hardness of 60 ShA guarantees an excellent grip and high temperatures resistance.

Features of the 1873T Two-piece series.



■ Fingers and materials designed for exerting an ideal and not excessive force for each specific application



■ Gripper securely fixed to flight by an austenitic stainless steel pin, eliminating pop-off

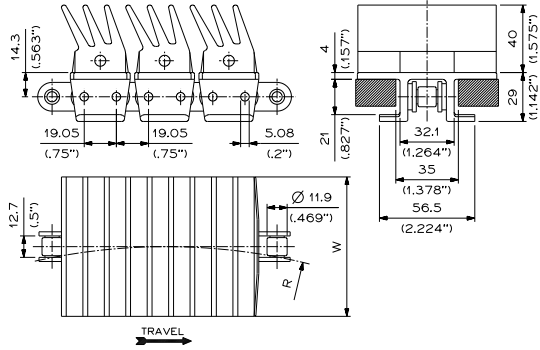
■ Special rubber material, extends life without losing elasticity

1873T Series.

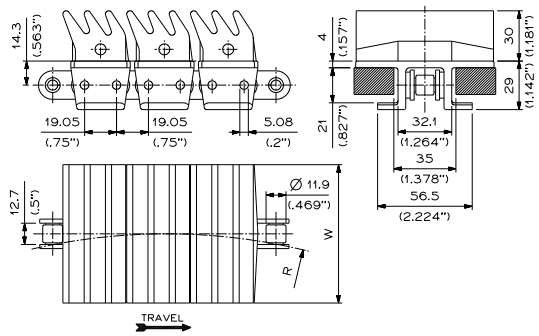
Two-piece gripper chains with plastic flights (3/4" pitch).



EW 1873T (Long Fingers).

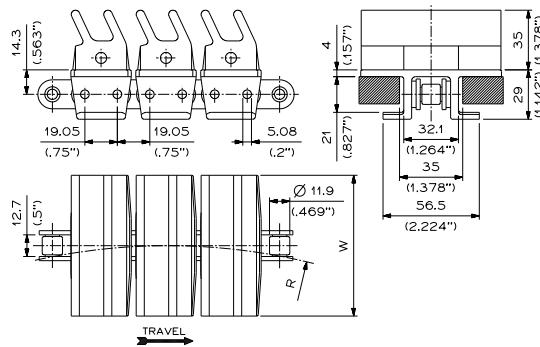


GW 1873T (Short Fingers).

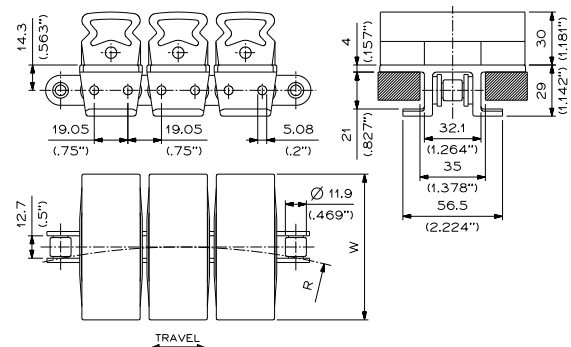


EW 1873T REGINA REF.	GW 1873T REGINA REF.	CHAIN WIDTH W		SIDEFLEXING RADIUS R		WORKING LOAD (25°C / 77°F)		BASE CHAIN MATERIAL	FLIGHT MATERIAL
		mm	inches	mm	inches	N	lbs		
EW 1873T UP K 3 1/4	GW 1873T UP K 3 1/4	82,6	3.25	355,6	14	4500	1,013	S	UP
EW 1873T UP K 4 1/2		114,3	4.50	355,6	14	4500	1,013	S	UP
EW 1873T UP SS K 3 1/4	GW 1873T UP SS K 3 1/4	82,6	3.25	355,6	14	3500	788	SS	UP
EW 1873T UP SS K 4 1/2		114,3	4.50	355,6	14	3500	788	SS	UP
NEW EW 1873T UP BS K 3 1/4	NEW GW 1873T UP BS K 3 1/4	82,6	3.25	355,6	14	3500	788	BS	UP
NEW EW 1873T UP BS K 4 1/2		114,3	4.50	355,6	14	3500	788	BS	UP
EW 1873T D2K K 3 1/4	GW 1873T D2K K 3 1/4	82,6	3.25	355,6	14	4500	1,013	S	DK ²
EW 1873T D2K K 4 1/2		114,3	4.50	355,6	14	4500	1,013	S	DK ²
EW 1873T D2K SS K 3 1/4	GW 1873T D2K SS K 3 1/4	82,6	3.25	355,6	14	3500	788	SS	DK ²
EW 1873T D2K SS K 4 1/2		114,3	4.50	355,6	14	3500	788	SS	DK ²
NEW EW 1873T D2K BS K 3 1/4	NEW GW 1873T D2K BS K 3 1/4	82,6	3.25	355,6	14	3500	788	BS	DK ²
NEW EW 1873T D2K BS K 4 1/2		114,3	4.50	355,6	14	3500	788	BS	DK ²

GU 1873T (U-Shape).



GD 1873T (D-Shape).



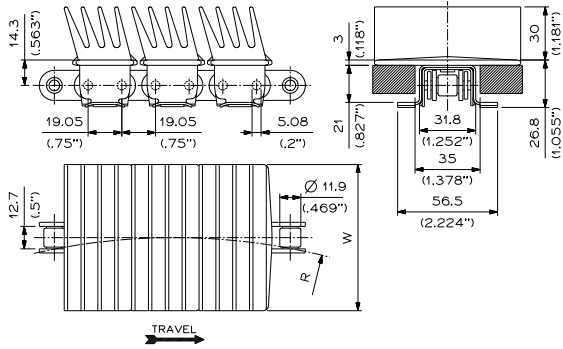
GU 1873T REGINA REF.	GD 1873T REGINA REF.	CHAIN WIDTH W		SIDEFLEXING RADIUS R		WORKING LOAD (25°C / 77°F)		BASE CHAIN MATERIAL	FLIGHT MATERIAL
		mm	inches	mm	inches	N	lbs		
GU 1873T UP K 3 1/4	GD 1873T UP K 3 1/4	82,6	3.25	355,6	14	4500	1,013	S	UP
GU 1873T UP K 4 1/2		114,3	4.50	355,6	14	4500	1,013	S	UP
GU 1873T UP SS K 3 1/4	GD 1873T UP SS K 3 1/4	82,6	3.25	355,6	14	3500	788	SS	UP
GU 1873T UP SS K 4 1/2		114,3	4.50	355,6	14	3500	788	SS	UP
	NEW GD 1873T UP BS K 3 1/4	82,6	3.25	355,6	14	3500	788	BS	UP
GU 1873T D2K K 3 1/4	GD 1873T D2K K 3 1/4	82,6	4.50	355,6	14	4500	1,013	S	DK ²
GU 1873T D2K K 4 1/2		114,3	4.50	355,6	14	4500	1,013	S	DK ²
GU 1873T D2K SS K 3 1/4	GD 1873T D2K SS K 3 1/4	82,6	3.25	355,6	14	3500	788	SS	DK ²
GU 1873T D2K SS K 4 1/2		114,3	4.50	355,6	14	3500	788	SS	DK ²
	NEW GD 1873T D2K BS K 3 1/4	82,6	3.25	355,6	14	3500	788	BS	DK ²

1874T Series.

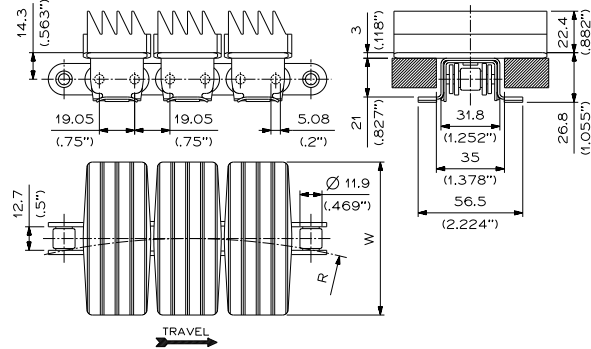
Two piece gripper chains with steel flights (3/4" pitch).



EV 1874T (Long Fingers).



GV 1874T (Short Fingers).



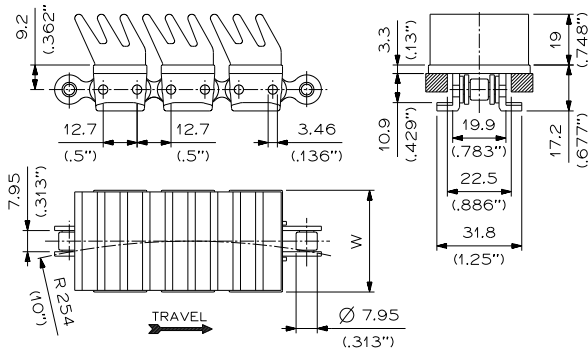
EV 1874T REGINA REF.	GV 1874T REGINA REF.	CHAIN WIDTH W		SIDEFLEXING RADIUS R		WORKING LOAD (25°C / 77°F)		BASE CHAIN MATERIAL	FLIGHT MATERIAL
		mm	inches	mm	inches	N	lbs		
EV 1874T K 3 1/4	GV 1874T K 3 1/4	82,6	3.25	381,0	15	4500	1,013	S	S
	GV 1874T K 4 1/2	114,3	4.50	381,0	15	4500	1,013	S	S
EV 1874T SS K 3 1/4	GV 1874T SS K 3 1/4	82,6	3.25	381,0	15	3500	788	SS	SS
	GV 1874T SS K 4 1/2	114,3	4.50	381,0	15	3500	788	SS	SS

1843T Series.

NEW Two-piece gripper chains with plastic flights (1/2" pitch).



EW 1843T (Long Fingers).



EW 1843T REGINA REF.	CHAIN WIDTH W		WORKING LOAD (25°C / 77°F)		BASE CHAIN MATERIAL	FLIGHT MATERIAL
	mm	inches	N	lbs		
EW 1843T UP K 1 1/2	38,1	1.50	2600	585	S	UP
EW 1843T UP SS K 1 1/2	38,1	1.50	2000	450	SS	UP

878T Series.

One-piece gripper chains with plastic plates. Reduced sideflexing radius.

EW 878T (Long Fingers).



GU 878T (U-Shape).



GW 878T (Short Fingers).



GD 878T (D-Shape).

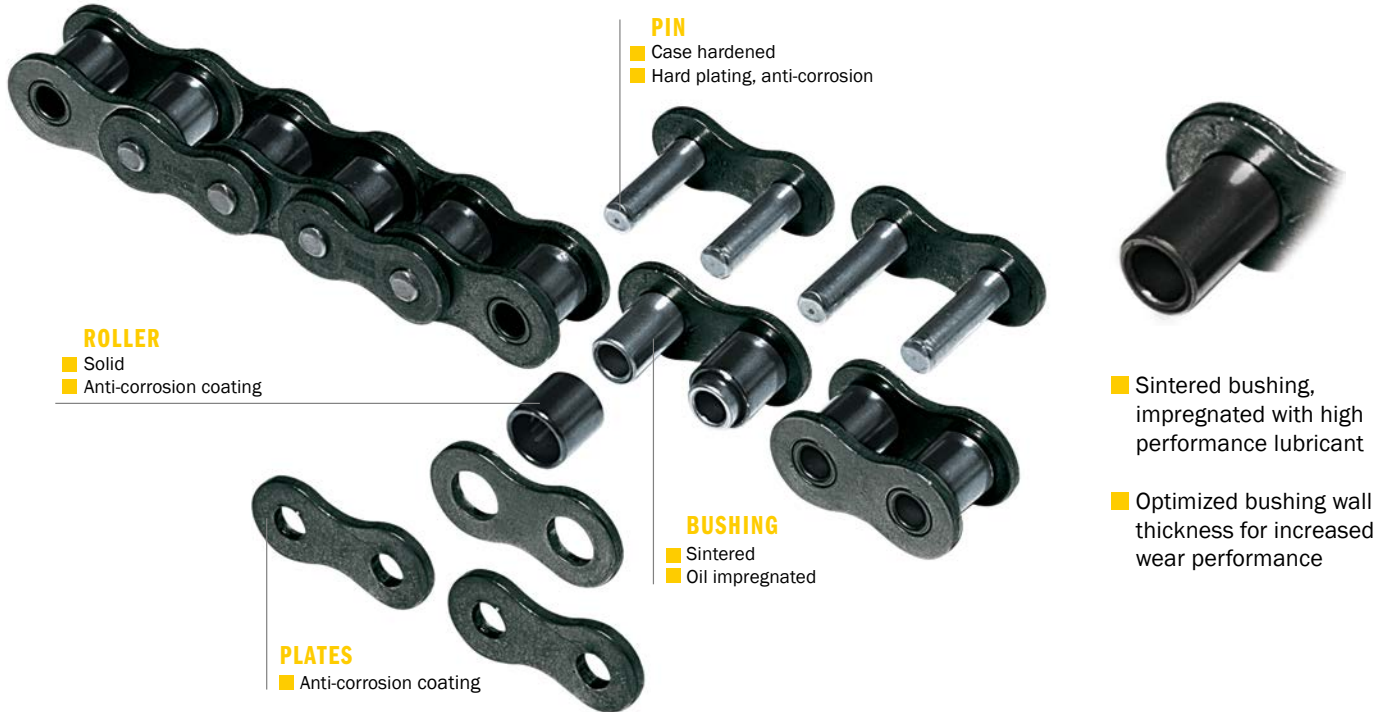


REGINA REF. 878T	CHAIN WIDTH W		SIDEFLEXING RADIUS R		WORKING LOAD (25°C / 77°F)		FLIGHT MATERIAL
	mm	inches	mm	inches	N	lbs	
EW 878T UP K 3 1/4	82,6	3.25	200	7.874	2000	450	UP
GW 878T UP K 3 1/4	82,6	3.25	200	7.874	2000	450	UP
GU 878T UP K 3 1/4	82,6	3.25	200	7.874	2000	450	UP
GD 878T UP K 3 1/4	82,6	3.25	200	7.874	2000	450	UP

NEW Gripper chains available with ENDURO maintenance free base chains.

Technical characteristics.

- “Heavy wall” sintered bushing, impregnated with USDA H1 food approved oil
- Hard plated pin
- Galvanically coated plates and rollers for resistance to mildly aggressive environment



BENEFITS

- DRAMATIC WEAR LIFE INCREASE COMPARED TO STANDARD CHAINS IN UN-LUBRICATED CONDITIONS
- ELIMINATE NEED FOR PERIODIC LUBRICATION
- NO PRODUCT OR EQUIPMENT CONTAMINATION
- RESISTANCE TO CORROSION IN MILDLY AGGRESSIVE ENVIRONMENT
- SAVINGS IN LUBRICATION AND MAINTENANCE COSTS

APPLICATION LIMITS

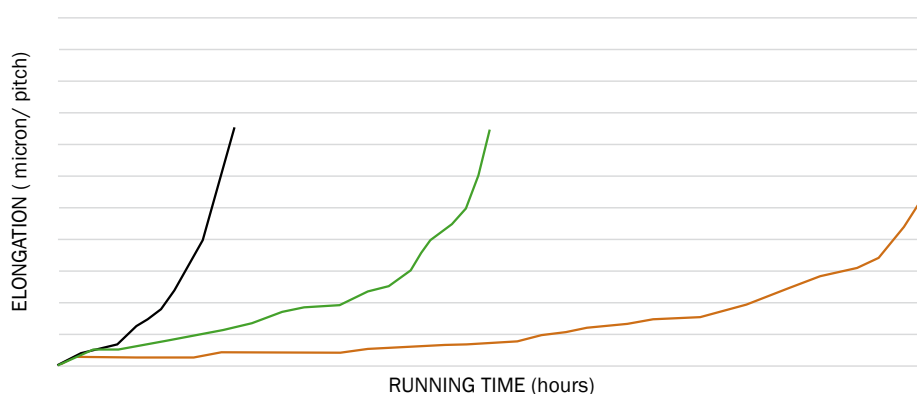
- MAXIMUM SPEED: 2 M/SEC
- MAXIMUM SPECIFIC PRESSURE: 20 N/MM²
- TEMPERATURE OPERATING RANGE: -30 °C ÷ +150 °C
- MILD CORROSIVE ENVIRONMENT
- ABSENCE OF ABRASIVE CONTAMINATION



Comparative wear test - 16B-1 chains with sintered bushings.

Regina Catene Calibrate S.p.A. - Laboratory

13/07/2011



- 16B-1 Regina STAINLESS STEEL chain with factory pre-lubrication (no relubrication)
- 16B-1 Regina STANDARD chain with factory pre-lubrication (no relubrication)
- 16B-1 Maintenance free chain - Regina Enduro series - code 147BS



TEST CONDITIONS

Rpm: 234
 Sprockets: z1=15 z2=15
 Chain pull: 3'432 N (350kg)
 Chain speed: 1,50 m/s
 Specific pressure pin/bushing: 17 N/mm²
 No lubrication during the test



REGINA CHAIN

PERFORMANCE IN MOTION

ITALY

REGINA CATENE CALIBRATE S.p.A.
HEAD OFFICE:
Via Monza, 90
23870 Cernusco Lombardone (LC) - Italy
Tel. +39 039 99801
Fax +39 039 9905229
sales@reginachain.net

USA

REGINA USA, INC.
305 E. Mahn Court
Oak Creek, WI 53154 - USA
Tel. 001 414 5710032
Fax 001 414 5710225
sales.us@reginachain.net

FRANCE

REGINA INDUSTRIE s.a.r.l.
Z.A.C. des Chatelliers
34 Rue des Frères Lumière
45800 Saint Jean De Braye - France
Tel. +33 238 836363
Fax +33 238 836413
sales.fr@reginachain.net

MEXICO

REGINA de MEXICO S.A. de C.V.
Av. Aviación 5051-28
Col. San Juan de Ocotan
45019 Zapopan, Jalisco - Mexico
Tel. +52 33 3627 4043
Fax +52 33 3627 3930
sales.mx@reginachain.net

CHINA

REGINA TIANJIN CHAIN & BELT CO., LTD.
Xi Qing Economic Development Area,
Xiang Rui Road n. 17
Tian Xiang Industrial Zone
300385 Tian Jin - China
Tel. +86 22 83961223
Fax +86 22 83961202
sales.cn@reginachain.net

UNITED KINGDOM

REGINA INTERNATIONAL LIMITED
Unit 1, Dyneley Road,
Greenbank Business Park
Whitebirk, Blackburn,
Lancs BB1 3AB - United Kingdom
Tel. +44 1254 661116
Fax +44 1254 59456
sales.uk@reginachain.net

ARGENTINA

REGINA INTERNATIONAL S.A.
Diagonal 190,
1788-1655 José Leon Suarez
Prov. Buenos Aires - Argentina
Tel. +54 11 47296667
Fax +54 11 47203210
sales.ar@reginachain.net

GERMANY

REGINA
Tel. +49 2662939196
Fax +49 2662939198
sales.de@reginachain.net

SPAIN

CADENAS REGINA ESPAÑA, S.L.
Calle Industria, 37
08120 La Llagosta - Barcelona - España
Tel. +34 93 5742838
Fax +34 93 5740735
sales.es@reginachain.net

THE NETHERLANDS

REGINA
Tel. +31 610681114
sales.nl@reginachain.net



www.reginachain.net